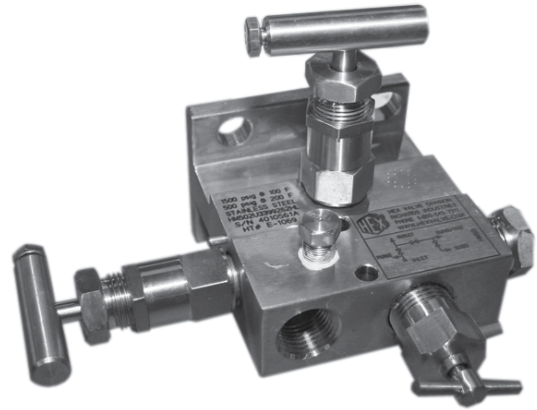


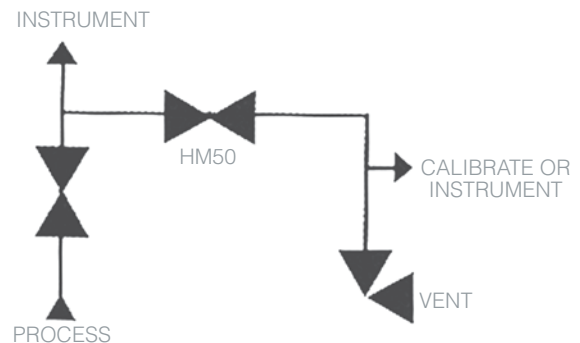
The HM50 Series is a single flanged static pressure manifold that incorporates a primary block valve, a bleed valve and a secondary shutoff valve into a single valve assembly. The secondary shutoff and bleed valve also allows the gauge and transmitter to be removed or bled without requiring additional valving. The HM50 provides separate instrument bleed and a calibration of gauge pressure transmitters. With the installation of a tube fitting / cap or a quick connect coupling, zeroing and calibration can be performed without a wrench with a substantial reduction in the time required to perform this procedure. The HM50 features a threaded inlet and flanged outlet, allowing the transmitter to bolt directly to the manifold. This design results in quick installation and allows a technician to remove the transmitter for service without disassembling the associated piping.

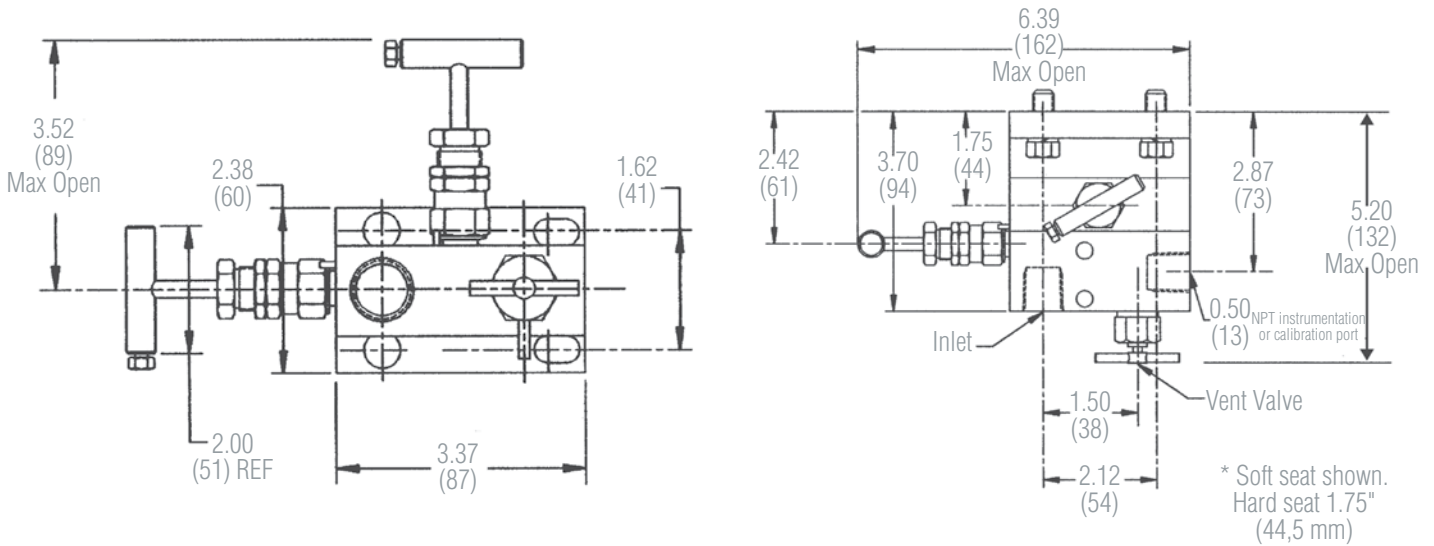


Features and Benefits

- **Reduce costs and installation time:** Use Hex static pressure manifolds in place of the conventional arrangement of nipples, pipes, elbows, tees and gate valves for a lower cost, easier to install valve assembly
- **Non-rotating tip (NRT) stem:** Provides tight, repeatable shutoff without the galling or cross scoring that occurs on ball type stems
- **Fully backseated bonnets:** Prevent accidental stem removal and blowout. Unique design minimizes emissions

Flow Schematic



Dimensions

How to Order

Model Number	Seat/ Body Configuration	Body Material	Inlet Size	Inlet Type	Outlet Size/ Type	Stem/Tip	Seat Material	Packing	Options	Options
HM50	1 = Hard (6000 psi)	S = CS	3 = 1/2"	3 = FNPT	99 = Flanged	2 = 316SS Needle/Plug	1 = Integral (hard)	1 = Braided/Grafoil	1 = CS Mtg Bkt	L = 1/8" Purge Ports
	2 = Soft (3000 psi)	U = SS				4 = 316/316SS NRT	4 = PPS	2 = TFE - Chevron	H = SS Mtg Bkt	
							5 = KEL-F	3 = Graphite/Grafoil/Graphite	N = CS Stem Trace Block	
							6 = TFE			
							9 = PEEK			

Sample Ordering Schematic

HM50	1	S	3	3	99	4	1	2	1	L
------	---	---	---	---	----	---	---	---	---	---