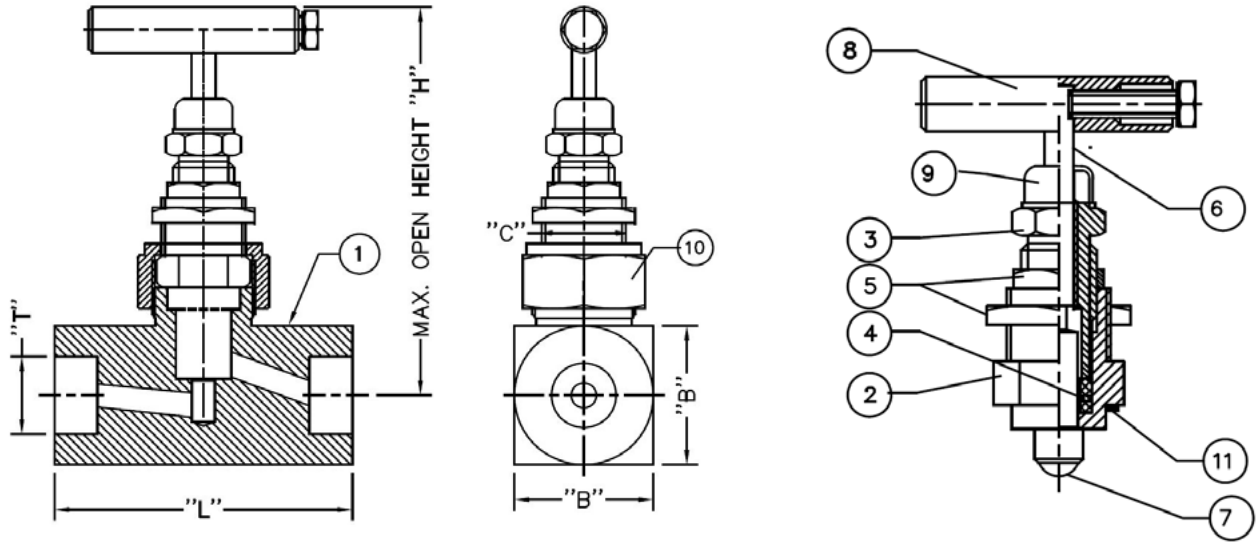




Features and Benefits

- One-piece forged body.
- Accidental valve disassembly disabled by union bonnet construction.
- Grafoil packing standard
- Upper stem thread lubricant isolated from system media
- Panel mounting standard



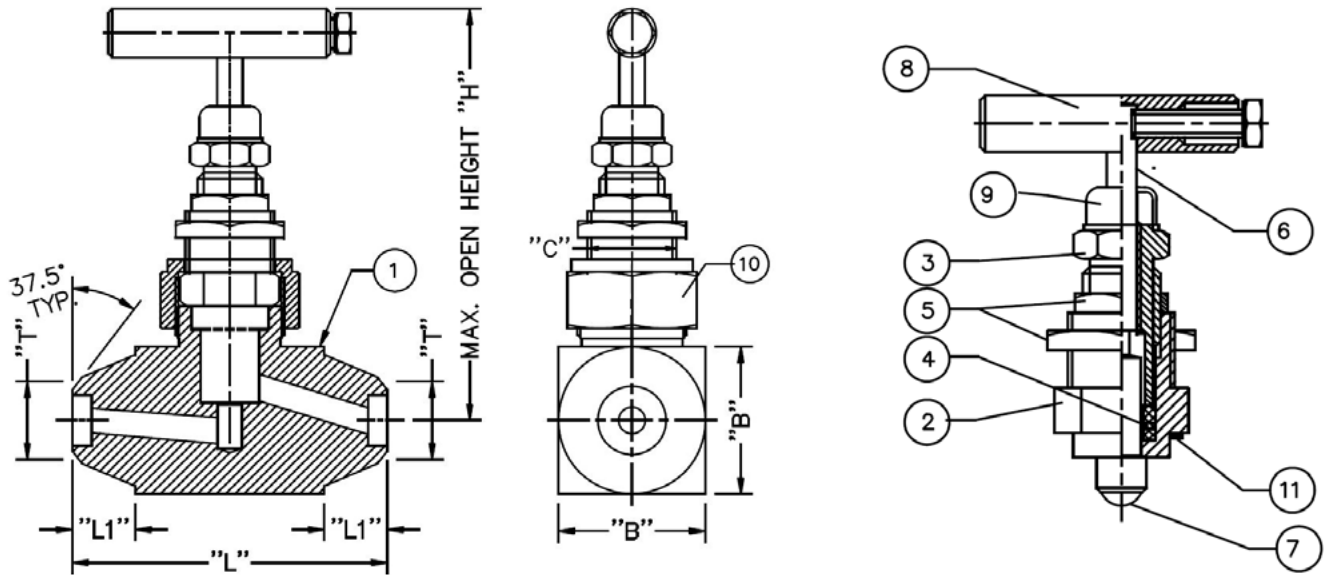


Part Descriptions

Part Number	Part Description	Quantity
1	Body	1
2	Gland Body	1
3	Gland Retainer	1
4	Gland Seal	2
5	Check Nut	1
6	Spindle	1
7	Ball Trim	1
8	Handle	1
9	Dust Cap	1
10	Union Bonnet Nut	1
11	Gland Washer	1

Dimensions

"I"	"B"	"L"	"C"	"H"	Orifice	Material
18.12	32.0	68.0	23.0	105.0	6.0	SS 316H/F91
18.12	35.0	78.0	25.0	115.0	10.0	SS 316H/F91



Part Descriptions

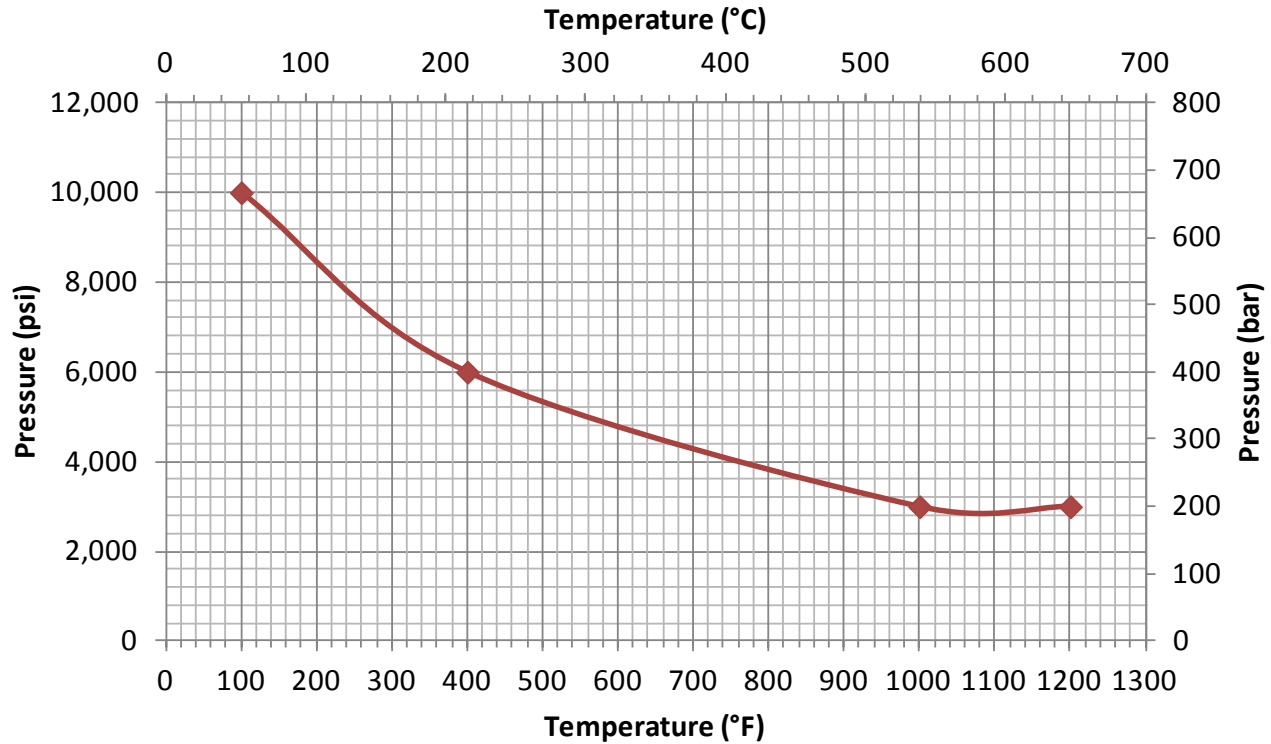
Part Number	Part Description	Quantity
1	Body	1
2	Gland Body	1
3	Gland Retainer	1
4	Gland Seal	2
5	Check Nut	1
6	Spindle	1
7	Ball Trim	1
8	Handle	1
9	Dust Cap	1
10	Union Bonnet Nut	1
11	Gland Washer	1

Dimensions

"I"	"B"	"L"	"L1"	"C"	"H"	Orifice	Material
18.12	32.0	68.0	12.0	23.0	105.0	6.0	SS 316H/F91
18.12	35.0	78.0	12.0	25.0	115.0	10.0	SS 316H/F91



Pressure and Temperature Chart



How to Order

Model Number	Bonnet	Orifice Size	Body Material*	Inlet / Outlet Size†	Inlet / Outlet Type ‡
HN49U	U = Union Bonnet	A = 6mm	8 = 316H	I = 18mm	E = TSW
		B = 10mm	F = F91		1 = 4.5mm wall BWE

* Trim Material matches Body. Other materials available upon request.

† Other sizes available, consult factory.

‡ Other inlet/outlet types available, consult factory.

Sample Ordering Schematic

Example:	Model Number	Bonnet	Orifice Size	Body Material	Inlet / Outlet Size	Inlet / Outlet Type
	HN49	U	B	8	I	E