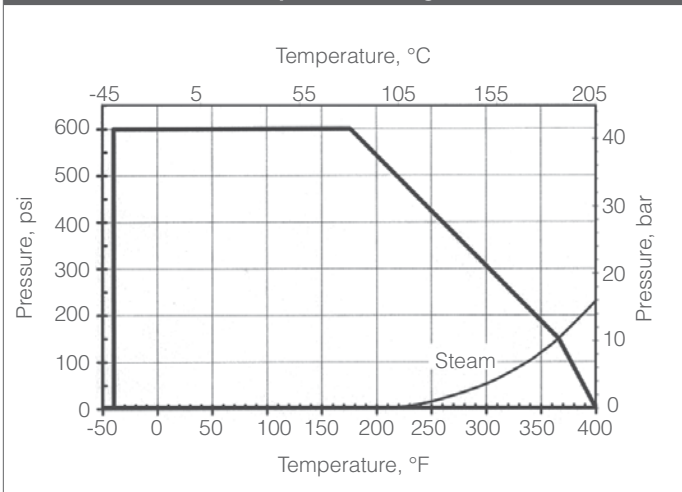

**Features**

- Cast brass body
- Stainless steel ball and stem
- Blow-out proof stem
- Reinforced PTFE seats
- PTFE stem packing
- 100% tested
- Lever operator

**Series 633 Pressure-Temperature Ratings**

**Technical Specifications**

Valve Size Inches	Flow Coefficient, Cv
1/4"	4.2
3/8"	6.2
1/2"	15.3
3/4"	31.0
1"	49.0
1-1/4"	103
1-1/2"	143
2"	245

**633FTRS Series Full Port Valve**

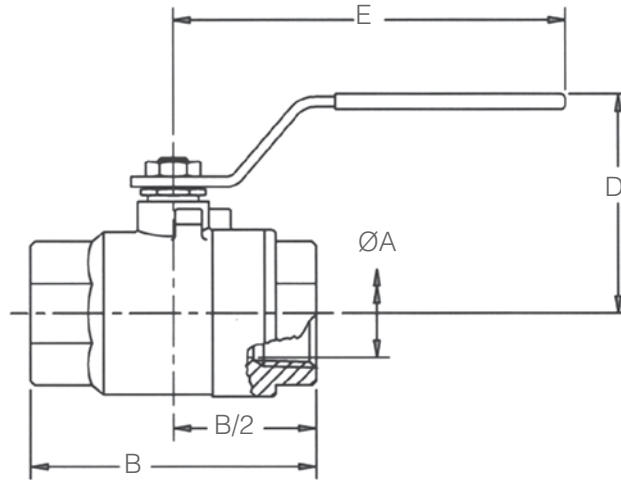
Quick Spec	
Product Scope	
Size Range	1/4" – 2", Full Port
Body Type	2-pc, End Entry with FNPT Ends
Pressure Rating	600 psi WOG (41 bar)
Temperature Range / WSP	-40°F thru 366°F / 150 psi Steam -40°C thru 186°C / 10,3 bar Steam
Body	Brass, Cast
Trim	Stainless Steel
Seats	RPTFE
Stem Packing	PTFE
Operator	Manual Lever, non-locking
Design Standards	
Threaded End Design	ASME B1.20.1
Testing Standards	
Pressure Testing	MSS-SP-110

**Materials of Construction 600 Full Port Series**

Part	Material
Body	Brass, ASTM B584 C84400
End Cap	Brass, ASTM B584 C84400
Ball	SS, ASTM A276 Type 316 or ASTM A351 CF8M
Stem	SS, ASTM A276 Type 316
Seat	RPTFE
Thrust Washer, Stem	RPTFE
Packing, Stem	PTFE
Gland Nut, Body	Brass, ASTM B16 C36000
Handle	Steel, Plated
Nut, Handle	SS, 304 Series

**Technical Specifications, metric**

Valve Size NPS	Flow Coefficient, Kv
DN8	3,6
DN12	5,3
DN15	13,2
DN20	26,0
DN25	42,0
DN32	89
DN40	123
DN50	211



MD60027

Dimensions, Inches					
Valve Size	633FTRS Series				
Inches	ØA Port	B Length	D	E	Wt (lbs)
1/4"	0.38	2.00	1.8	4.0	0.45
3/8"	0.38	2.00	1.8	4.0	0.45
1/2"	0.50	2.44	1.9	4.0	0.64
3/4"	0.75	2.94	2.3	4.8	1.33
1"	1.00	3.34	2.4	4.8	1.79
1-1/4"	1.25	4.19	3.0	4.8	3.34
1-1/2"	1.50	4.72	3.2	6.7	4.84
2"	2.00	5.16	3.5	6.7	7.41

Dimensions, Metric					
Valve Size	633FTRS Series				
NPS	ØA Port	B Length	D	E	Wt (kgs)
DN8	9,7	50,8	44	102	0,20
DN10	9,7	50,8	44	102	0,20
DN15	12,7	62,0	48	102	0,29
DN20	19,1	74,7	57	122	0,60
DN25	25,4	84,8	60	122	0,81
DN32	31,8	106,4	76	122	1,51
DN40	38,1	119,9	80	170	2,20
DN50	50,8	131,1	89	170	3,36

How to Order							
Body	Ball	Stem	Port	Packing	Seats	Ends	Size
6 = Brass	3 = Stainless	3 = Stainless	F = Full Port	T = PTFE	R = RPTFE	S = FNPT	025
							038
							050
							075
							100
							125
							150
							200

Sample Ordering Schematic

6	3	3	F	T	R	S	050
---	---	---	---	---	---	---	-----

## Marwin Valve

A Division of Richards Industries, 3170 Wasson Road, Cincinnati, OH 45209

toll free. 800.543.7311, local. 513.533.5600, fax. 513.871.0105

[www.marwinvalve.com](http://www.marwinvalve.com)