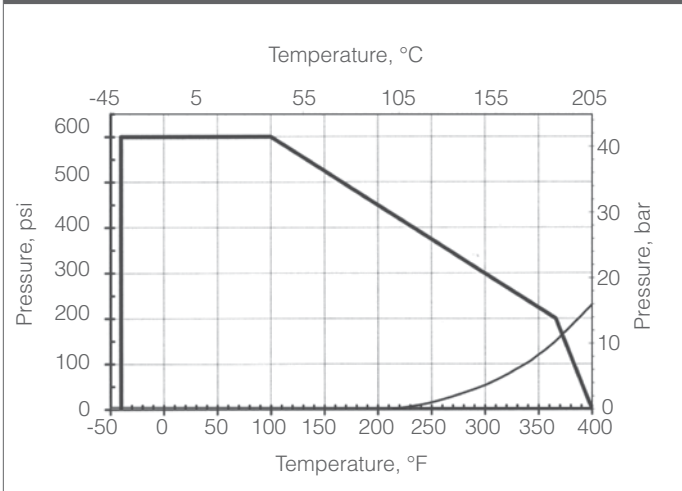

Features

- Cast brass body
- Swing-out design for easy in-line maintenance
- Blow-out proof stem
- Reinforced PTFE seats
- PTFE stem packing
- 100% tested

Series 4600R Pressure-Temperature Ratings


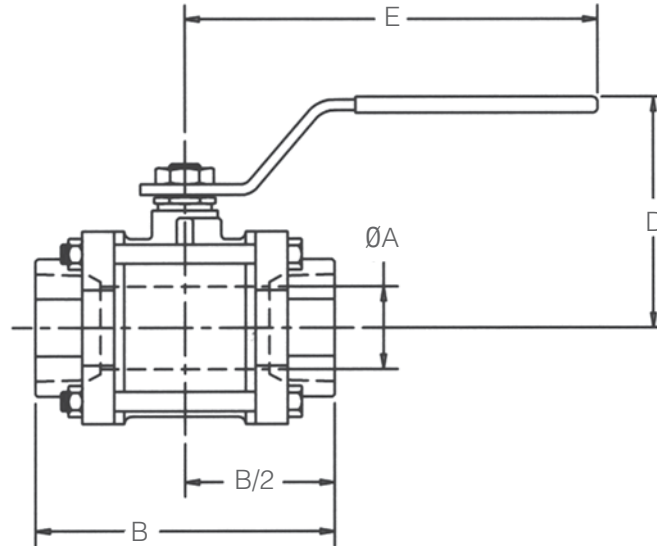
Technical Specifications		
Valve Size Inches	Operating Torque, in-lb	Flow Coefficient, Cv
1-1/4"	230	44
1-1/2"	275	64
2"	300	100
2-1/2"	410	183
3"	540	390

**4666RTTS Series Reduced Port Valve (1-1/4" – 3")
 4633RTTS Series Reduced Port Valve (1-1/2" – 3")**

Quick Spec	
Product Scope	
Size Range	1-1/4" – 3", Reduced Port
Body Type	3-pc, Swing-Out, w/FNPT Ends
Pressure Rating	600 psi WOG (10,3 bar)
Temperature Range / WSP	-40°F thru 366°F / 150 psi Steam -40°C thru 186°C / 10,3 bar Steam
Body	Brass, Cast
Trim	Brass, Chrome Plated or optional SS
Seats	PTFE
Stem Packing	PTFE
Operator	Manual Lever, Non-Locking
Design Standards	
Threaded End Design	ASME B1.20.1
Testing Standards	
Conforms to	MSS-SP-110

Materials of Construction		
Part	Brass Body & Trim	Brass Body / 316 SS Trim
Body	Brass ASTM B584 C84400	
End Cap	Brass ASTM B584 C84400	
Ball (4666)	Brass, ASTM B124 C377000	B16 C36000
Ball (4633)	SS, ASTM A276 Type 316	B99 C65100
Stem (4666)	Silicon Br ASTM B371 C64930	B99 C65100
Stem (4633)	SS, ASTM A276 Type 316	
Seal, Body	FKM	
Seat	PTFE	
Thrust Washer, Stem	RPTFE	
Packing, Stem	PTFE	
Gland Nut, Body	Brass, ASTM B16 C36000	
Handle	Steel, Zinc Plated	
Nut, Handle	Steel, Zinc Plated	
Bolts, Body	Steel, ASTM A449 Gr 5, Plated	
Nuts, Body	Steel, ASTM A449 Gr, 5 Plated	

Technical Specifications, metric		
Valve Size NPS	Operating Torque, N.m	Flow Coefficient, Kv
DN32	26,0	38
DN40	31,1	55
DN50	33,9	86
DN65	46,3	157
DN80	61,0	335



MD04040

Dimensions, Inches					
Valve Size	4600R Series				
Inches	ØA Port	B Length	D	E	Wt (lbs)
1-1/4"	1.00	3.69	2.3	4.7	2.65
1-1/2"	1.25	4.09	2.8	6.7	3.77
2"	1.50	4.81	3.0	6.7	5.78
2-1/2"	2.00	6.16	3.6	6.7	10.80
3"	2.50	6.84	4.1	8.0	19.10

Dimensions, mm					
Valve Size	4600R Series				
NPS	ØA Port	B Length	D	E	Wt (kgs)
DN32	25,4	93,7	57	118	1,20
DN40	31,8	103,9	70	170	1,71
DN50	38,1	122,2	75	170	2,62
DN65	50,8	156,5	92	170	4,90
DN80	63,5	173,7	104	203	8,70

How to Order							
Valve Series	Ball	Stem	Port	Packing	Seats	End Connections	Valve Size
46	3 = Stainless Steel 6 = Brass	3 = 316 Stainless Steel 6 = Brass	R = Standard Port	T = PTFE	T = PTFE	S = Threaded	125 (4666 only) 150 200 250 300

Sample Ordering Schematic

46	3	3	R	T	T	S	150
----	---	---	---	---	---	---	-----

Marwin Valve

 A Division of Richards Industries, 3170 Wasson Road, Cincinnati, OH 45209
 toll free. 800.543.7311, local. 513.533.5600, fax. 513.871.0105
 www.marwinvalve.com